

PARTS LIST

CAUTION

- The parts identified by the Δ symbol are important for the safety . Whenever replacing these parts, be sure to use specified ones to secure the safety .
- The parts not indicated in this Parts List and those which are filled with lines --- in the Parts No. columns will not be supplied .
- P. W. Board Ass'y will not be supplied, but those which are filled with the Parts No. in the Parts No. columns will be supplied .

ABBREVIATIONS OF RESISTORS, CAPACITORS

RESISTOR

RC..... CARBON RESISTOR

CAPACITORS

CC..... CERAMIC CAPACITOR
 CE..... ALUMI ELECTROLYTIC CAPACITOR
 CP..... POLYESTER CAPACITOR
 CPP..... POLYPROPYLENE CAPACITOR
 CPL..... PLASTIC CAPACITOR
 CMP..... METAL POLYESTER CAPACITOR
 CMPL..... METAL PLASTIC CAPACITOR
 CMPP..... METAL POLYPROPYLENE CAPACITOR

CONTENTS

■ USING P.W. BOARD	55
■ MECHANICAL REPLACEMENT PARTS LIST	56
■ MECHANICAL EXPLODED VIEW	57
■ CHASSIS REPLACEMENT PARTS LIST	59
■ CHASSIS EXPLODED VIEW (TOP VIEW)	60
■ CHASSIS EXPLODED VIEW (BOTTOM VIEW)	61
■ ELECTRICAL REPLACEMENT PARTS LIST	62
■ DIFFERENCE POINT between TV-13142 and TV-13142W	67
■ PACKING & ACCESSORY REPLACEMENT PARTS LIST	68

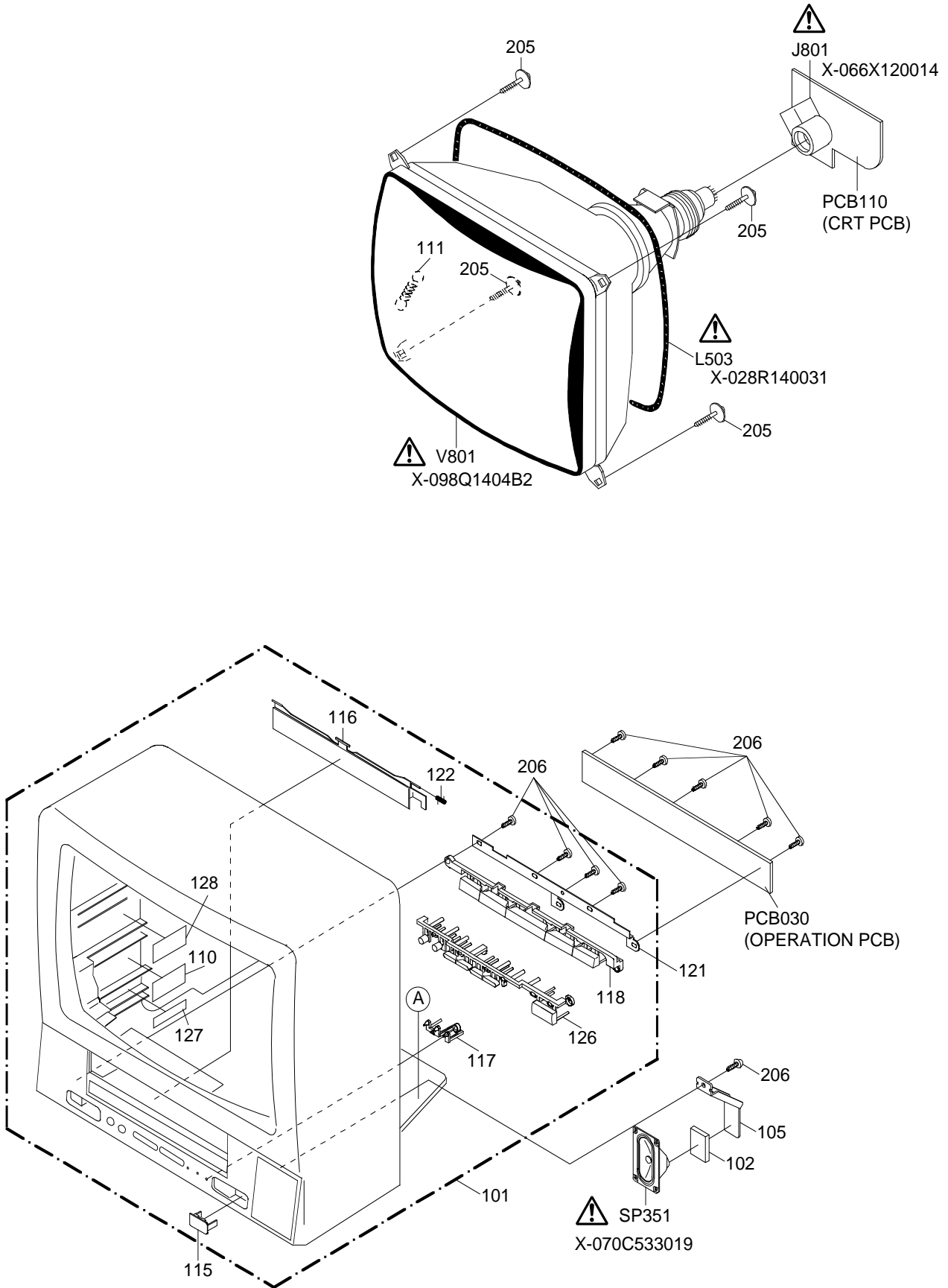
USING P.W. BOARD

P.W.B ASS'Y	Model	
	TV-13142	TV-13142W
SYSCON PCB ASS'Y	X-A58005A01A	X-A58006A01B
OPERATION PCB ASS'Y	X-A58005A03A	←
CRT PCB ASS'Y	X-A58005A11A	←

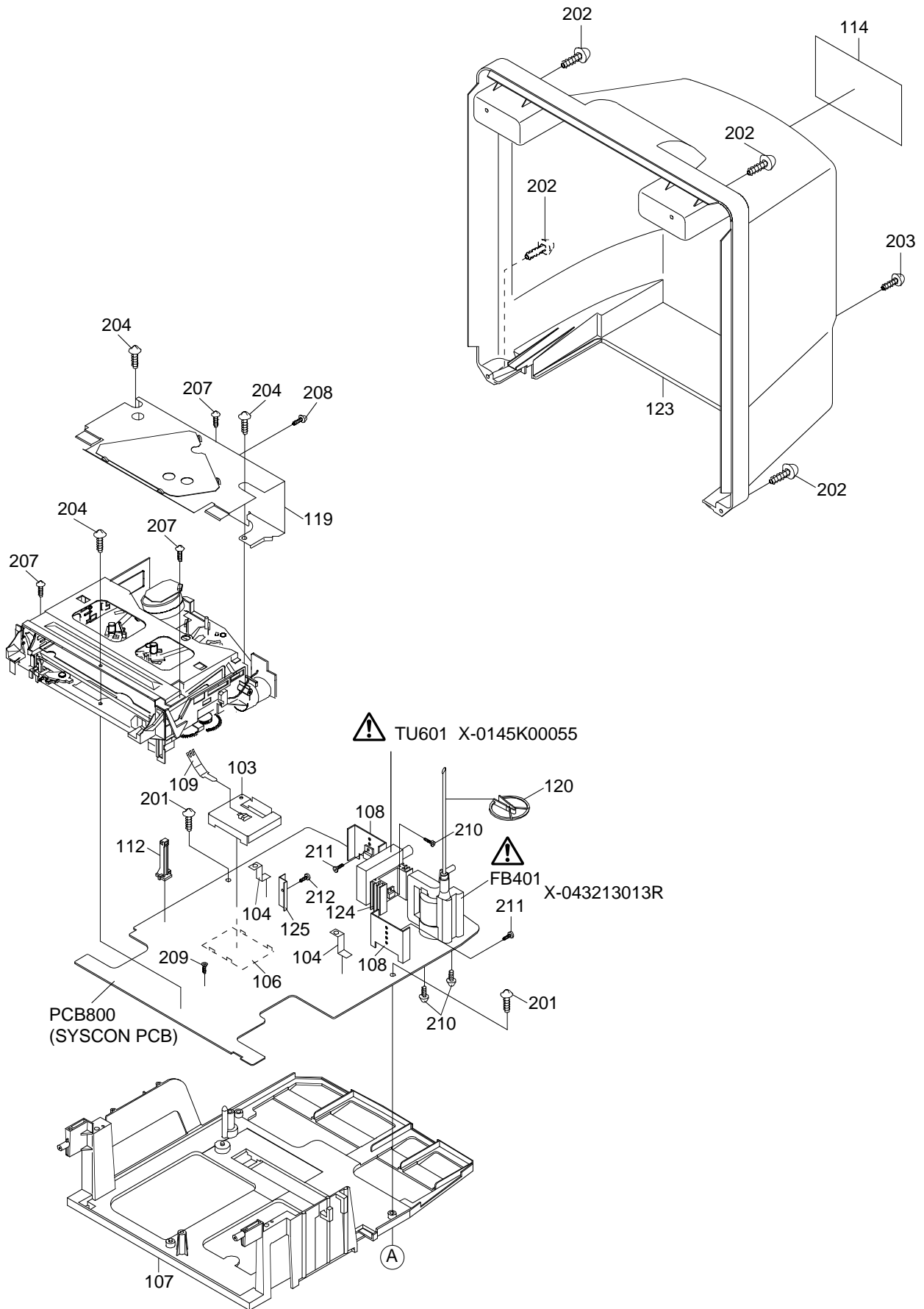
MECHANICAL REPLACEMENT PARTS LIST

REF. NO.	PART NO.	DESCRIPTION	
101	See Page67.	CABINET,FRONT ASSY	
102	X-800WFA0046	CUSHION	
103	X-752WSA0209	SHIELD,CASE HEAD AMP	
104	X-753WSA0118	PLATE,EARTH-SYSCON	
105	X-753WSA0119	PLATE,SPEAKER	
106	X-753WSA0130	SHIELD,COVER HEAD AMP	
107	X-761WPAA045	HOLDER,DECK	
108	X-763WSAA013	HEAT SINK	
109	X-753WUAA006	SPRING,EARTH HEAD AMP	
110	X-7260000324	SHEET,CRT SERVICEMAN	
111	X-741WUA0019	SPRING,EARTH	
112	X-85OP700036	HOLDER,EOT SENSOR	
114	See Page67.	SHEET,RATING	
115	X-711WPA0111	PLATE,FRONT	
116	See Page67.	FLAP	
117	X-713WPA0092	GLASS,LED	
118	See Page67.	BUTTON,FRAME	
119	X-752WSA0232	PLATE,DECK SHIELD ASS'Y	
120	X-899HV3T000	HOLDER,ANODE WIRE	
121	X-761WSA0051	FRAME,BUTTON	
122	X-743WKA0032	SPRING,FLAP	
123	See Page67.	CABINET,BACK	
124	X-763WAA0166	HEAT SINK	
125	X-763WSA0019	HEAT SINK	
126	See Page67.	BUTTON,CHANNEL/VOLUME	
127	X-722000A023	SHEET,HWC	
128	X-7220001119	SHEET,CSA WARNING	
201	X-8117540B04	SCREW,TAPPING(B0) TRUSS	4x20
202	X-8117540A64	SCREW,TAPPING(B0) TRUSS	4x16
203	X-8117540A04	SCREW,TAPPING(B0) TRUSS	4x10
204	X-8117140A24	SCREW,TAPPING(B0) PAN	4x12
205	X-8121F50B84	SCREW,TAPPING(BO) GW20FLAT	5x28
206	X-8110630A04	SCREW,TAP TITE(P) BRAZIER	3x10
207	X-8110630804	SCREW,TAP TITE(P) BRAZIER	3x8
208	X-8107226604	SCREW,TAP TITE(S) BIND	2.6x6
209	X-8110330804	SCREW,TAP TITE(P) FLAT	3x8
210	X-8109630802	SCREW,TAP TITE(B) BRAZIER	3x8
211	X-8109I30A04	SCREW,TAP TITE(B) WH7	3x10
212	X-8109I30604	SCREW,TAP TITE(B) WH7	3x6

MECHANICAL EXPLODED VIEW



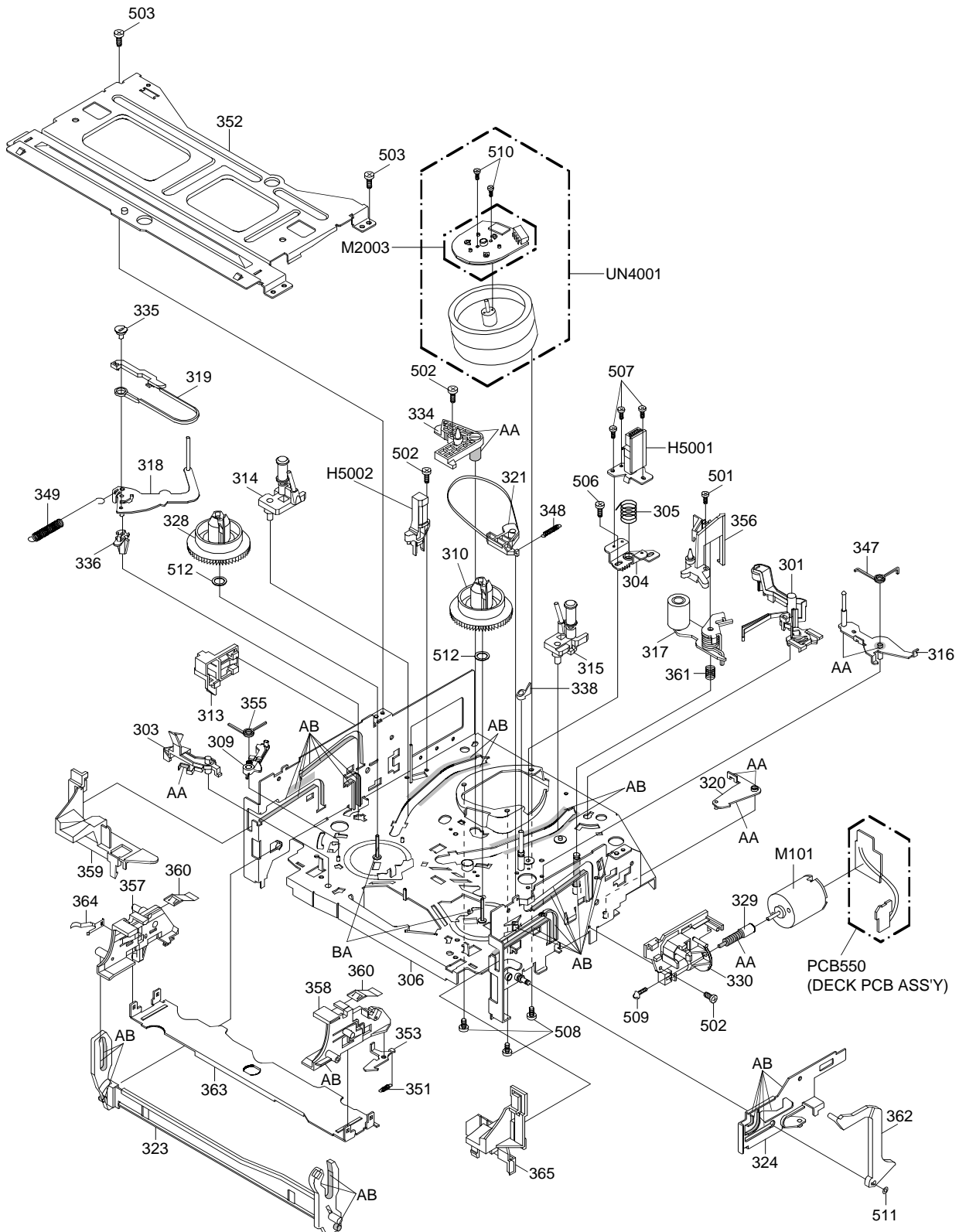
MECHANICAL EXPLODED VIEW



CHASSIS REPLACEMENT PARTS LIST

REF. NO.	PART NO.	DESCRIPTION	REF. NO.	PART NO.	DESCRIPTION
			501	X-8107126A04	SCREW,TAP TITE(S) PAN 2.6x10
			502	X-8107226804	SCREW,TAP TITE(S) BIND 2.6x8
			503	X-8107226604	SCREW,TAP TITE(S) BIND 2.6x6
			504	X-8109126604	SCREW,TAP TITE(B) PAN 2.6x6
			505	X-83ETW30000	E-RING 3.0
			506	X-8107226404	SCREW,TAP TITE(S) BIND 2.6x4
			507	X-8102120604	SCREW,PAN M2x6
			508	X-810A126504	SCREW/WASHER(A) M2.6x5
			509	X-810A130504	SCREW/WASHER(A) M3x5
			510	X-8107226504	SCREW, TAP TITE(S) BIND BIND2.6x5
			511	X-82P266005N	POLYSLIDER WASHER(CUT) 2.6x6.0xT0.5
			512	X-82Q2647C5N	POLYSLIDER WASHER 2.6x4.7xT0.25
			513	X-82P184505N	POLYSLIDER WASHER(CUT) 1.8x4.5xT0.5
			CP101	X-069R740018	CONNECTOR PCB SIDE 52044-0445
			H5001	X-1523D91034	HEAD (AUDIO CONTROL) HVMXA1072A
			H5002	X-1543D02013	HEAD (FULL ERASE) HVFHP0032A
			△ M101	X-1596P78001	MOTOR (LOADING) MXN13FB11H
			△ M2001	X-1594S98001	CAPSTAN DD UNIT F2QSB36
			△ M2003	X-1589S11015	MICRO MOTOR I20AL03
			PCB550	X-A4C831B550	DECK PCB ASS'Y VE8851
			Q101	X-0000700320	TRANSISTOR,PHOTO RPT-38PB113
			△ UN4001	X-A4E304B500	CYLINDER UNIT ASSY A4E304B500
301	X-850A500022	AHC ASS'Y			
302	X-850P200290	BELT,CAPSTAN (S)			
303	X-850P900710	LEVER,REC			
304	X-850P500083	BASE,AC HEAD			
305	X-850P800324	SPRING,AC HEAD			
306	X-850A000449	MAIN CHASSIS ASS'Y (3V)			
307	X-850A200082	CLUTCH ASS'Y(S2)			
308	X-850A200088	ARM,IDLER ASS'Y 3V			
309	X-850P600556	ARM,SS BRAKE (S)			
310	X-850P200292	REEL,T (S)			
311	X-850A300061	LOADING ARM S ASS'Y			
312	X-850A300062	LOADING ARM T ASS'Y			
313	X-850P900714	COVER,SENSOR L3			
314	X-850A400220	INCLINED BASE S UNIT 3V			
315	X-850A400221	INCLINED BASE T UNIT 3V			
316	X-850A400199	P5-3 ARM ASS'Y(S)			
317	X-850A400205	PINCH ROLLER BLOCK			
318	X-850A400175	TENSION ARM ASS'Y			
319	X-850A400216	TENSION BAND ASS'Y 3V			
320	X-850A400178	PINCH ROLLER LEVER ASS'Y			
321	X-850A600197	BRAKE T ASS'Y 3V			
322	X-850P500087	HOLDER,SPRING(SV)			
323	X-850A900223	LINK UNIT(SV)			
324	X-850P900716	LEVER,LINK(SV)			
325	X-850P200284	LEVER,CLUTCH (S)			
326	X-850P200285	ACTUATOR,CLUTCH			
327	X-850P200298	GEAR,COUPLING(S2)			
328	X-850P200291	REEL,S (S)			
329	X-850P600566	WORM(SV)			
330	X-850P600567	BRACKET,MOTOR(SV)			
331	X-850P300193	GEAR,MAIN LOADING			
332	X-850P300179	GEAR,LOADING S			
333	X-850P300180	GEAR,LOADING T			
334	X-850P300189	HOLDER,LOADING GEAR (S-ZV)			
335	X-850P400472	ADJUST,TENSION			
336	X-850P400492	HOLDER,TENSION			
337	X-850P400490	LEVER,TENSION			
338	X-850P400520	CAP,P4			
339	X-850P600543	GEAR,JOINT			
340	X-850P600544	GEAR,MIDDLE			
341	X-850P600572	CAM,MAIN(S)			
342	X-850P600546	CAM,P5			
343	X-850P600565	CAM,PINCH ROLLER			
344	X-850P600561	ROD,MAIN(S)			
345	X-850P700035	REFLECTOR,LED			
346	X-850P800318	SPRING,LOADING GEAR			
347	X-850P800334	SPRING,P5 (S)			
348	X-850P800335	SPRING,BRAKE T (S)			
349	X-850P800322	SPRING,TENSION			
350	X-850P800336	SPRING,CAP BRAKE (S)			
351	X-850P800342	SPRING,LOCKER (S)			
352	X-850P900695	BRACKET,TOP			
353	X-850P900713	LOCKER,R2			
354	X-850P800330	SPRING,RING			
355	X-850P800337	SPRING,SS BRAKE (S)			
356	X-850P900680	OPENER,CASS			
357	X-850P900722	CASS SIDE L(SV)			
358	X-850P900723	CASS SIDE R(SV)			
359	X-850P900728	TAPE GUIDE L(P,R)			
360	X-850P900694	SPRING,PACK			
361	X-850P800341	SPRING,P/R ARM			
362	X-850P900688	LEVER,FLAP			
363	X-850P900717	CASS HOLDER(SV)			
364	X-850P900696	SPRING,CASS EARTH			
365	X-850P900729	TAPE GUIDE R			

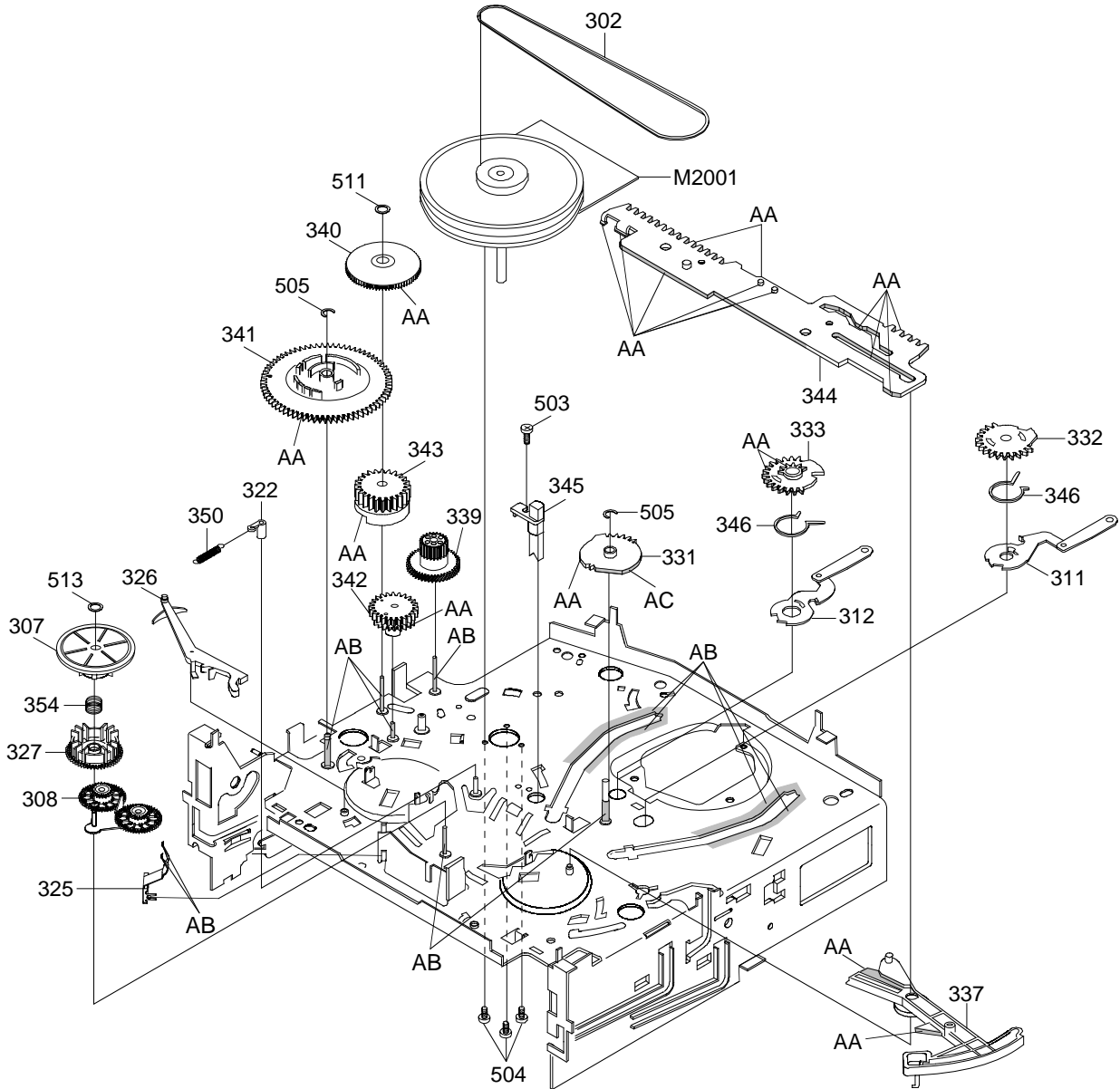
CHASSIS EXPLODED VIEW (TOP VIEW)



CLASS	PART NO.	MARK
GREASE	G-555G	AA
	MG-33	AB
	FL-721	AC
OIL	FL OIL No. 6115	BA

NOTE: Applying positions AA, AB, AC and BA for the grease or oil are displayed for this section. Check if the correct grease or oil is applied for each position.

CHASSIS EXPLODED VIEW (BOTTOM VIEW)



CLASS	PART NO.	MARK
GREASE	G-555G	AA
	MG-33	AB
	FL-721	AC
OIL	FL OIL No. 6115	BA

NOTE: Applying positions AA, AB, AC and BA for the grease or oil are displayed for this section. Check if the correct grease or oil is applied for each position.

ELECTRICAL REPLACEMENT PARTS LIST

REF. NO.	PART NO.	DESCRIPTION	REF. NO.	PART NO.	DESCRIPTION
RESISTORS			RESISTORS		
R352	X-R903N8472J	RC 4.7K OHM 1/8W	R632	X-R3X18A221J	R,METAL OXIDE 220 OHM 2W
R353	X-R903N8683J	RC 68K OHM 1/8W	R633	X-R903N8822J	RC 8.2K OHM 1/8W
R357	X-R903N8562J	RC 5.6K OHM 1/8W	R634	X-R903N8101J	RC 100 OHM 1/8W
R359	X-R903N8473J	RC 47K OHM 1/8W	R635	X-R903N8101J	RC 100 OHM 1/8W
R380	X-R002T2330J	RC 33 OHM 1/2W	R636	X-R903N8101J	RC 100 OHM 1/8W
R381	X-R001T4330J	RC 33 OHM 1/4W	R638	X-R801R7822J	RC 8.2K OHM 1/10W
R401	X-R903N8471J	RC 470 OHM 1/8W	R639	X-R903N8123J	RC 12K OHM 1/8W
R402	X-R903N8473J	RC 47K OHM 1/8W	R640	X-R002T2100J	RC 10 OHM 1/2W
R410	X-R002T4332J	RC 3.3K OHM 1/4W	R641	X-R903N8223J	RC 22K OHM 1/8W
R411	X-R801R7333F	RC 33K OHM 1/10W	R642	X-R903N8562J	RC 5.6K OHM 1/8W
R413	X-R903N8182J	RC 1.8K OHM 1/8W	R643	X-R903N8473J	RC 47K OHM 1/8W
R414	X-R903N8123J	RC 12K OHM 1/8W	R644	X-R903N8101J	RC 100 OHM 1/8W
△ R415	X-R002T22R2J	RC 2.2 OHM 1/2W	R646	X-R903N8273J	RC 27K OHM 1/8W
R416	X-R903N8823J	RC 82K OHM 1/8W	R647	X-R903N8222J	RC 2.2K OHM 1/8W
R419	X-R002T2331J	RC 230 OHM 1/2W	R648	X-R903N8222J	RC 2.2K OHM 1/8W
△ R420	X-R801R7822F	RC 8.2K OHM 1/10W	R649	X-R903N8222J	RC 2.2K OHM 1/8W
R421	X-R002T2681J	RC 680 OHM 1/2W	R650	X-R002T4471J	RC 470 OHM 1/4W
R423	X-R001T4103J	RC 10K OHM 1/4W	R651	X-R002T2100J	RC 10 OHM 1/2W
R424	X-R002T2222J	RC 2.2K OHM 1/2W	R652	X-R903N8472J	RC 4.7K OHM 1/8W
△ R439	X-R801R7223F	RC 22K OHM 1/10W	R654	X-R002T2821J	RC 820 OHM 1/2W
△ R440	X-R903N8513J	RC 51K OHM 1/8W	R655	X-R801R7272J	RC 2.7K OHM 1/10W
△ R441	X-R903N8563J	RC 56K OHM 1/8W	R656	X-R903N8102J	RC 1K OHM 1/8W
△ R442	X-R801R7183F	RC 18K OHM 1/10W	R657	X-R903N8102J	RC 1K OHM 1/8W
△ R444	X-R801R7393F	RC 39K OHM 1/10W	R658	X-R903N8152J	RC 1.5K OHM 1/8W
△ R447	X-R65582680J	R,FUSE 68 OHM 1/2W	R659	X-R903N8152J	RC 1.5K OHM 1/8W
R449	X-R65584101J	R,FUSE 100 OHM 1/4W	R660	X-R903N8152J	RC 1.5K OHM 1/8W
△ R450	X-R655814R7J	R,FUSE 4.7 OHM 1W	R663	X-R801R7101J	RC 100 OHM 1/10W
R453	X-R002T4224J	RC 220K OHM 1/4W	R665	X-R903N8154J	RC 150K OHM 1/8W
R454	X-R002T4333J	RC 33K OHM 1/4W	R668	X-R002T4471J	RC 470 OHM 1/4W
R456	X-R002T2472J	RC 4.7K OHM 1/2W	R669	X-R903N8471J	RC 470 OHM 1/8W
R460	X-R002T4101J	RC 100 OHM 1/4W	R676	X-R801R7102J	RC 1K OHM 1/10W
R490	X-R002T4683J	RC 68K OHM 1/4W	R678	X-R002T4472J	RC 4.7K OHM 1/4W
△ R500	X-R0G3K2275K	RC 2.7M OHM 1/2W	R683	X-R903N8101J	RC 100 OHM 1/8W
△ R501	X-R5Y2CD2R2J	R,CEMENT 2.2 OHM 5W	R686	X-R002T2152J	RC 1.5K OHM 1/2W
R502	X-R002T44R7J	RC 4.7 OHM 1/4W	R701	X-R002T4750J	RC 75 OHM 1/4W
R503	X-R002T4332J	RC 3.3K OHM 1/4W	R754	X-R001T6271J	RC 270 OHM 1/6W
R504	X-R002T2124J	RC 120K OHM 1/2W	R771	X-R001T6102J	RC 1K OHM 1/6W
R505	X-R002T4331J	RC 330 OHM 1/4W	R772	X-R001T6152J	RC 1.5K OHM 1/6W
R506	X-R903N8222J	RC 2.2K OHM 1/8W	R773	X-R001T6272J	RC 2.7K OHM 1/6W
R508	X-R002T2563J	RC 56K OHM 1/2W	R774	X-R001T6682J	RC 6.8K OHM 1/6W
△ R510	X-R002T2124J	RC 120K OHM 1/2W	R775	X-R001T6821J	RC 820 OHM 1/6W
△ R512	X-R002T2563J	RC 56K OHM 1/2W	R776	X-R001T6102J	RC 1K OHM 1/6W
R516	X-R903N8103J	RC 10K OHM 1/8W	R777	X-R001T6152J	RC 1.5K OHM 1/6W
R519	X-R801R7473J	RC 47K OHM 1/10W	R778	X-R001T6821J	RC 820 OHM 1/6W
△ R520	X-R3X28AR82J	R,METAL 0.82 OHM 2W	R780	X-R001T6272J	RC 2.7K OHM 1/6W
R521	X-R801R7562J	RC 5.6K OHM 1/10W	R781	X-R001T6223J	RC 22K OHM 1/6W
R522	X-R002T4101J	RC 100 OHM 1/4W	R782	X-R001T6682J	RC 6.8K OHM 1/6W
△ R529	X-R4X5T4272F	R,METAL 2.7K OHM 1/4W	R783	X-R001T6223J	RC 22K OHM 1/6W
R532	X-R002T4472J	RC 4.7K OHM 1/4W	R793	X-R001T6271J	RC 270 OHM 1/6W
R533	X-R002T4472J	RC 4.7K OHM 1/4W	R794	X-R001T6271J	RC 270 OHM 1/6W
△ R542	X-R33681R18J	R,METAL 0.18OHM 1W	△ R802	X-R3X181123J	R,METAL 12K OHM 1W
△ R543	X-R635U4681J	R,FUSE 680 OHM 1/4W	△ R805	X-R3X181123J	R,METAL 12K OHM 1W
R553	X-R002T2393J	RC 39K OHM 1/2W	R807	X-R001T4272J	RC 2.7K OHM 1/4W
R554	X-R002T4223J	RC 22K OHM 1/4W	R808	X-R001T4272J	RC 2.7K OHM 1/4W
R601	X-R903N8222J	RC 2.2K OHM 1/8W	△ R810	X-R3X181123J	R,METAL 12K OHM 1W
R602	X-R801R7101J	RC 100 OHM 1/10W	R811	X-R903N8391J	RC 390 OHM 1/8W
R603	X-R801R7101J	RC 100 OHM 1/10W	R812	X-R903N8391J	RC 390 OHM 1/8W
			R813	X-R903N8391J	RC 390 OHM 1/8W
R607	X-R002T2102J	RC 1K OHM 1/2W	R814	X-R903N8472J	RC 4.7K OHM 1/8W
R608	X-R903N8103J	RC 10K OHM 1/8W	R815	X-R903N8472J	RC 4.7K OHM 1/8W
R609	X-R903N8681J	RC 680 OHM 1/8W	R816	X-R903N8472J	RC 4.7K OHM 1/8W
R610	X-R903N8105J	RC 1M OHM 1/8W	R820	X-R001T4272J	RC 2.7K OHM 1/4W
R612	X-R002T4681J	RC 680 OHM 1/4W	R1001	X-R903N8332J	RC 3.3K OHM 1/8W
R613	X-R903N8123J	RC 12K OHM 1/8W	R1002	X-R903N8271J	RC 270 OHM 1/8W
R614	X-R903N8184J	RC 180K OHM 1/8W	R1003	X-R903N8823J	RC 82K OHM 1/8W
R615	X-R903N8471J	RC 470 OHM 1/8W	R1005	X-R903N8272J	RC 2.7K OHM 1/8W
R616	X-R903N8102J	RC 1K OHM 1/8W	R1007	X-R903N8220J	RC 22 OHM 1/8W
R618	X-R801R7106J	RC 10M OHM 1/10W	R1008	X-R002T4102J	RC 1K OHM 1/4W
R620	X-R903N8101J	RC 100 OHM 1/8W	R1009	X-R903N8561J	RC 560 OHM 1/8W
			R1011	X-R903N8222J	RC 2.2K OHM 1/8W
R622	X-R903N8331J	RC 330 OHM 1/8W	R1012	X-R903N8103J	RC 10K OHM 1/8W
R624	X-R903N8202J	RC 2K OHM 1/8W	R1013	X-R903N8561J	RC 560 OHM 1/8W
R625	X-R903N8103J	RC 10K OHM 1/8W	R1017	X-R903N8393J	RC 39K OHM 1/8W
R626	X-R903N8103J	RC 10K OHM 1/8W	R1018	X-R903N8472J	RC 4.7K OHM 1/8W
R627	X-R903N8123J	RC 12K OHM 1/8W	R1019	X-R903N8473J	RC 47K OHM 1/8W
R628	X-R903N8101J	RC 100 OHM 1/8W	R1020	X-R903N8223J	RC 22K OHM 1/8W
R631	X-R903N8472J	RC 4.7K OHM 1/8W	R1021	X-R903N8100J	RC 10 OHM 1/8W

ELECTRICAL REPLACEMENT PARTS LIST

REF. NO.	PART NO.	DESCRIPTION	REF. NO.	PART NO.	DESCRIPTION
RESISTORS			RESISTORS		
R1025	X-R903N8101J	RC 100 OHM 1/8W	R4059	X-R801R7106J	RC 10M OHM 1/10W
R1028	X-R903N8223J	RC 22K OHM 1/8W	R4060	X-R801R7155J	RC 1.5M OHM 1/10W
R1029	X-R903N8472J	RC 4.7K OHM 1/8W	R4061	X-R801R7106J	RC 10M OHM 1/10W
R1031	X-R903N8102J	RC 1K OHM 1/8W	R4062	X-R801R7335J	RC 3.3M OHM 1/10W
R1032	X-R903N8103J	RC 10K OHM 1/8W	R4064	X-R801R7682J	RC 6.8K OHM 1/10W
R1033	X-R903N8102J	RC 1K OHM 1/8W	R4068	X-R801R7225J	RC 2.2M OHM 1/10W
R1034	X-R903N8105J	RC 1M OHM 1/8W	CAPACITORS		
R1035	X-R903N8100J	RC 10 OHM 1/8W	C301	X-CS0RB04H4K	CC 0.022 UF 50V B
R1036	X-R903N8472J	RC 4.7K OHM 1/8W	C351	X-E02LU52R2M	CE 2.2 UF 50V
R1038	X-R903N8221J	RC 220 OHM 1/8W	C354	X-E02L02222M	CE 2200 UF 16V
R1039	X-R903N8183J	RC 18K OHM 1/8W	C355	X-E02LU5100M	CE 10 UF 50V
R1040	X-R903N8333J	RC 33K OHM 1/8W	C356	X-E5E2U5100M	CE 10 UF 50V
R1042	X-R903N8221J	RC 220 OHM 1/8W	C357	X-CS0RB04H4K	CC 0.022 UF 50V B
R1044	X-R903N8332J	RC 3.3K OHM 1/8W	C381	X-CHGTF03H4Z	CC 0.022 UF 25V F
R1045	X-R903N8332J	RC 3.3K OHM 1/8W	C382	X-E50HU2470M	CE 47 UF 16V
R1046	X-R903N8472J	RC 4.7K OHM 1/8W	C402	X-E02L04102M	CE 1000 UF 35V
R1047	X-R903N8472J	RC 4.7K OHM 1/8W	C405	X-E5E2U5010M	CE 1 UF 50V
R1048	X-R903N8103J	RC 10K OHM 1/8W	C406	X-E5E2T4101M	CE 100 UF 35V
R1049	X-R903N8472J	RC 4.7K OHM 1/8W	Δ C407	X-E02L03102M	CE 1000 UF 25V
R1050	X-R903N8101J	RC 100 OHM 1/8W	C408	X-E5E2T5220M	CE 22 UF 50V
R1051	X-R903N8183J	RC 18K OHM 1/8W	C417	X-C0JTB0513K	CC 0.001 UF 500V B
R1052	X-R903N8391J	RC 390 OHM 1/8W	C418	X-E5E2U5220M	CE 22 UF 50V
R1053	X-R903N8221J	RC 220 OHM 1/8W	C422	X-E5E2TD010M	CE 1 UF 250V
R1054	X-R903N8564J	RC 560K OHM 1/8W	C423	X-P4J7F3394J	CMPP 0.39 UF 250V PMS
R1064	X-R002T4102J	RC 1K OHM 1/4W	Δ C424	X-P4N8FJ822H	CMPP C 0.0082UF 1.25KV
R1066	X-R903N8102J	RC 1K OHM 1/8W	Δ C425	X-C0JLYR7U2K	CC 680 PF 2KV YR
R1073	X-R002T4010J	RC 1 OHM 1/4W	Δ C431	X-E02LTD100M	CE 10 UF 250V
R1075	X-R903N8472J	RC 4.7K OHM 1/8W	C432	X-E02LT50R1M	CE 0.1 UF 50V
R1079	X-R002T4220J	RC 22 OHM 1/4W	Δ C433	X-E02LT3331M	CE 330 UF 25V
R1080	X-R00104010J	RC 1 OHM 1/4W	C438	X-C0JTB0513K	CC 0.001 UF 500V B
R1082	X-R903N8152J	RC 1.5K OHM 1/8W	Δ C502	X-C0JTB0513K	CC 0.001 UF 500V B
R1083	X-R903N8333J	RC 33K OHM 1/8W	Δ C503	X-C0JTB0513K	CC 0.001 UF 500V B
R1084	X-R801R7102J	RC 1K OHM 1/10W	Δ C505	X-C0JTB05Q2K	CC 470 PF 500V B
R1087	X-R903N8333J	RC 33K OHM 1/8W	Δ C506	X-P2122B224M	COMP 0.22 UF 250V ECQUL
R4001	X-R903N8561J	RC 560 OHM 1/8W	Δ C507	X-E51CGC471M	CE 470 UF 200V
R4002	X-R903N8103J	RC 10K OHM 1/8W	C509	X-CS0RF0414Z	CC 0.01 UF 50V F
R4003	X-R903N8103J	RC 10K OHM 1/8W	Δ C510	X-E5E2T4101M	CE 100 UF 35V
R4004	X-R002T4150J	RC 15 OHM 1/4W	Δ C511	X-E5E2T3471M	CC 470 UF 25V
R4006	X-R002T4473J	RC 47K OHM 1/4W	C512	X-CS0RB0413K	CC 0.001 UF 50V B
R4007	X-R002T4393J	RC 39K OHM 1/4W	C514	X-C0JLYR7K3K	CC 0.0027UF 2KV YR
R4010	X-R903N8332J	RC 3.3K OHM 1/8W	C515	X-CS0RB04H3K	CC 0.0022UF 50V B
R4011	X-R903N8223J	RC 22K OHM 1/8W	C516	X-C0JTB05Q2K	CC 470 PF 500V B
R4012	X-R903N8821J	RC 820 OHM 1/8W	C517	X-C0JLYR7W2K	CC 820 PF 2KV YR
R4015	X-R801R72R2J	RC 2.2 OHM 1/10W	C518	X-C0JTB05Q2K	CC 470 PF 500V B
R4017	X-R903N8682J	RC 6.8K OHM 1/8W	C519	X-C0JTB05Q2K	CC 470 PF 500V B
R4018	X-R903N8123J	RC 12K OHM 1/8W	Δ C521	X-E62NFB101M	CE 100 UF 160V
R4019	X-R903N8334J	RC 330K OHM 1/8W	Δ C522	X-E5E2TB010M	CE 1 UF 160V
R4020	X-R903N8181J	RC 180 OHM 1/8W	Δ C523	X-E5E2T4471M	CE 470 UF 35V
R4021	X-R903N8223J	RC 22K OHM 1/8W	Δ C524	X-E5E2T2102M	CE 1000 UF 16V
R4022	X-R903N8821J	RC 820 OHM 1/8W	C525	X-E02LU1471M	CE 470 UF 10V
R4023	X-R903N8333J	RC 33K OHM 1/8W	Δ C530	X-C034F0JQ3M	CC 0.0047UF 125V MX
R4024	X-R903N8562J	RC 5.6K OHM 1/8W	C531	X-E5E2T5100M	CE 10 UF 50V
R4025	X-R903N8152J	RC 1.5K OHM 1/8W	C534	X-E5E2T2102M	CE 1000 UF 16V
R4026	X-R903N8393J	RC 39K OHM 1/8W	C535	X-C0JLYR7U2K	CC 680 PF 2KV YR
R4028	X-R002T4473J	RC 47K OHM 1/4W	C554	X-CS0RB0413K	CC 0.001 UF 50V B
R4029	X-R002T4473J	RC 47K OHM 1/4W	C560	X-C0JLYR7H3K	CC 0.0022UF 2KV YR
R4032	X-R002T4101J	RC 100 OHM 1/4W	C602	X-CS0RF04H4Z	CC 0.022 UF 50V F
R4033	X-R903N8222J	RC 2.2K OHM 1/8W	C610	X-E02LU54R7M	CE 4.7 UF 50V
R4034	X-R903N8683J	RC 68K OHM 1/8W	C612	X-E02LU0471M	CE 470 UF 6.3V
R4035	X-R903N8104J	RC 100K OHM 1/8W	C618	X-CS0RCH4L2J	CC 330 PF 50V CH
R4037	X-R903N8391J	RC 390 OHM 1/8W	C621	X-CS0RF0414Z	CC 0.01 UF 50V F
R4038	X-R903N8684J	RC 680K OHM 1/8W	C622	X-CS0RB03H5K	CC 0.22 UF 25V B
R4039	X-R903N8822J	RC 8.2K OHM 1/8W	C623	X-CS0RB04Q3K	CC 0.0047UF 50V B
R4041	X-R903N8182J	RC 1.8K OHM 1/8W	C624	X-E524U2470D	CE 47 UF 16V
R4042	X-R903N8821J	RC 820 OHM 1/8W	C625	X-CS0RF0216Z	CC 1 UF 16V F
R4043	X-R903N8332J	RC 3.3K OHM 1/8W	C627	X-E524U5010D	CE 1 UF 50V
R4044	X-R801R7223J	RC 22K OHM 1/10W	C629	X-CS0RCH4U1J	CC 68 PF 50V CH
R4045	X-R801R7123J	RC 12K OHM 1/10W	C630	X-CS0RCH412J	CC 100 PF 50V CH
R4046	X-R801R7223J	RC 22K OHM 1/10W	C631	X-CS0RF0216Z	CC 1 UF 16V F
R4047	X-R002T4123J	RC 12K OHM 1/4W	C632	X-E524U52R2D	CE 2.2 UF 50V
R4048	X-R002T4680J	RC 68 OHM 1/4W	C634	X-CS0RF0414Z	CC 0.01 UF 50V F
R4052	X-R903N8822J	RC 8.2K OHM 1/8W	C636	X-CS0RF0414Z	CC 0.01 UF 50V F
R4053	X-R903N8682J	RC 6.8K OHM 1/8W	C639	X-CS0RF0414Z	CC 0.01 UF 50V F
R4055	X-R903N8102J	RC 1K OHM 1/8W	C640	X-CS0RF0415Z	CC 0.1 UF 50V F
R4056	X-R801R7106J	RC 10M OHM 1/10W	C641	X-E5E2T1102M	CE 1000 UF 10V
R4057	X-R903N8682J	RC 6.8K OHM 1/8W	C643	X-E02LU5220M	CE 22 UF 50V
R4058	X-R903N8272J	RC 2.7K OHM 1/8W	C644	X-E5E2U5220M	CE 22 UF 50V

ELECTRICAL REPLACEMENT PARTS LIST

REF. NO.	PART NO.	DESCRIPTION	REF. NO.	PART NO.	DESCRIPTION
CAPACITORS			CAPACITORS		
C645	X-E50HU5010M	CE 1 UF 50V	C1070	X-CS0RB04H3K	CC 0.0022UF 50V B
C647	X-CS0RF0414Z	CC 0.01 UF 50V F	C1071	X-CS0RCH412J	CC 100 PF 50V CH
C648	X-E524U5R22D	CE 0.22 UF 50V	C1073	X-CS0RB04H3K	CC 0.0022UF 50V B
C649	X-E5EZU5010M	CE 1 UF 50V	C1077	X-CS0RB04Q3K	CC 0.0047UF 50V B
C650	X-CS0RB04E4K	CC 0.015 UF 50V B	C1078	X-CS0RF0415Z	CC 0.1 UF 50V F
C651	X-CS0RCH4Q1J	CC 47 PF 50V CH	C1080	X-CS0RB0315K	CC 0.1 UF 25V B
C652	X-E5EZU2470M	CE 47 UF 16V	C1081	X-CS0RB0414K	CC 0.01 UF 50V B
C653	X-CS0RF0414Z	CC 0.01 UF 50V F	C1082	X-CS0RF0414Z	CC 0.01 UF 50V F
C654	X-CS0KCH4G1J	CC 18 PF 50V CH	C1083	X-CS0RB04H3K	CC 0.0022UF 50V B
C655	X-E524U2470D	CE 47 UF 16V	C1084	X-CS0RB04H3K	CC 0.0022UF 50V B
C656	X-CS0RF0414Z	CC 0.01 UF 50V F	C1085	X-E02LU2221M	CE 220 UF 16V
C658	X-CS0RB03H5K	CC 0.22 UF 25V B	C1089	X-CS0RF0415Z	CC 0.1 UF 50V F
C659	X-E524U0101D	CE 100 UF 6.3V	C1090	X-CS0RB04L3K	CC 0.0033UF 50V B
C660	X-CS0RF0415Z	CC 0.1 UF 50V F	C1091	X-CS0RB04H3K	CC 0.0022UF 50V B
C664	X-P235WE105J	CMP 1 UF 63V MKT	C4002	X-P235W1223J	CMP 0.022 UF 100V MKT
C665	X-E00NU2100M	CE 10 UF 16V	C4004	X-E02LU0221M	CE 220 UF 6.3V
C667	X-CS0RF0414Z	CC 0.01 UF 50V F	C4005	X-CS0RF0414Z	CC 0.01 UF 50V F
C672	X-CS0RF0414Z	CC 0.01 UF 50V F	C4006	X-CS0RB04E4K	CC 0.015 UF 50V B
C673	X-CS0RCH4H2J	CC 220 PF 50V CH	C4010	X-E524U0470D	CE 47 UF 6.3V
C674	X-CS0RCH4B2J	CC 120 PF 50V CH	C4012	X-E524U0220D	CE 22 UF 6.3V
C675	X-CS0RCH4U1J	CC 68 PF 50V CH	C4014	X-CS0RF04Q4Z	CC 0.047 UF 50V F
C678	X-E5EZU4101M	CE 100 UF 35V	C4015	X-CS0RF04Q4Z	CC 0.047 UF 50V F
C687	X-CQGTFO415Z	CC 0.1 UF 50V F	C4016	X-CS0RB04U4K	CC 0.068 UF 50V B
C688	X-CS0RB04S4K	CC 0.056 UF 50V B	C4019	X-CS0RF04Q4Z	CC 0.047 UF 50V F
C751	X-CHGTB0412K	CC 100 PF 50V B	C4020	X-CS0RF0415Z	CC 0.1 UF 50V F
C752	X-CQGTFO415Z	CC 0.1 UF 50V F	C4021	X-CS0RF0415Z	CC 0.1 UF 50V F
C755	X-E50HU0221M	CE 220 UF 6.3V	C4023	X-E524U0220D	CE 22 UF 6.3V
C779	X-CHGTB0413K	CC 0.001 UF 50V B	C4024	X-E50HT0101M	CE 100 UF 6.3V
C781	X-CHGTB0413K	CC 0.001 UF 50V B	C4025	X-E50HU0221M	CE 220 UF 6.3V
C801	X-C0JLYR7H3K	CC 0.0022UF 2KV YR	C4027	X-E524U1330D	CE 33 UF 10V
C805	X-CS0RCH412J	CC 100 PF 50V CH	C4028	X-CS0RF0415Z	CC 0.1 UF 50V F
C809	X-CS0RB04U2K	CC 680 PF 50V B	C4029	X-CS0RF0414Z	CC 0.01 UF 50V F
C810	X-CS0KB04N2K	CC 390 PF 50V B	C4030	X-E524U2100D	CE 10 UF 16V
C811	X-CS0KB04N2K	CC 390 PF 50V B	C4031	X-E524U53R3D	CE 3.3 UF 50V
C1003	X-E02LU0221M	CE 220 UF 6.3V	C4032	X-CS0RB04L3K	CC 0.0033UF 50V B
C1004	X-CS0RCH412J	CC 100 PF 50V CH	C4033	X-CS0RB04W2K	CC 820 PF 50V B
C1007	X-CS0RF0415Z	CC 0.1 UF 50V F	C4034	X-E524U54R7D	CE 4.7 UF 50V
C1009	X-CS0RCH4H2J	CC 220 PF 50V CH	C4035	X-E623U50R1D	CE 0.1 UF 50V
C1010	X-CS0RCH4H2J	CC 220 PF 50V CH	C4036	X-CS0RB04N2K	CC 390 PF 50V B
C1013	X-CS0RB04N3K	CC 0.0039UF 50V B	C4037	X-CS0RF0415Z	CC 0.1 UF 50V F
C1015	X-E50HU1470M	CE 47 UF 10V	C4038	X-CS0RCH4G2J	CC 180 PF 50V CH
C1016	X-E50HU2220M	CE 22 UF 16V	C4041	X-CS0RF0415Z	CC 0.1 UF 50V F
C1017	X-CS0RF0415Z	CC 0.1 UF 50V F	C4042	X-E50HU0101M	CE 100 UF 6.3V
C1018	X-E50HU54R7M	CE 4.7 UF 50V	C4043	X-CS0RF0415Z	CC 0.1 UF 50V F
C1019	X-CS0RCH413J	CC 0.001 UF 50V CH	C4044	X-CS0RF0415Z	CC 0.1 UF 50V F
C1020	X-E50HU2100M	CE 10 UF 16V	C4045	X-E50HU0221M	CE 220 UF 6.3V
C1021	X-E02LU3330M	CE 33 UF 25V	C4046	X-E50HU53R3M	CE 3.3 UF 50V
C1022	X-CS0RF0415Z	CC 0.1 UF 50V F	C4047	X-E50HU2100M	CE 10 UF 16V
C1023	X-CS0RCH4H2J	CC 220 PF 50V CH	C4048	X-E524U2100D	CE 10 UF 16V
C1026	X-CS0RF0414Z	CC 0.01 UF 50V F	C4049	X-E524U2100D	CE 10 UF 16V
C1027	X-CS0RB04N3K	CC 0.0039UF 50V B	C4050	X-E50HU5R22M	CE 0.22 UF 50V
C1028	X-CS0RF0415Z	CC 0.1 UF 50V F	C4051	X-E524U1330D	CE 33 UF 10V
C1029	X-CS0RB04U3K	CC 0.0068UF 50V B	C4052	X-E524U54R7D	CE 4.7 UF 50V
C1031	X-CS0RB0413K	CC 0.001 UF 50V B	C4053	X-E50HU54R7M	CE 4.7 UF 50V
C1032	X-E02LU0221M	CE 220 UF 6.3V	C4054	X-CS0RF0415Z	CC 0.1 UF 50V F
C1033	X-CS0RB0315K	CC 0.1 UF 25V B	C4055	X-CS0RB0216K	CC 1 UF 16V B
C1034	X-CS0RF0415Z	CC 0.1 UF 50V F	C4057	X-E50HU5010M	CE 1 UF 50V
C1035	X-CS0RCH4H2J	CC 220 PF 50V CH	C4058	X-E524U0470D	CE 47 UF 6.3V
C1037	X-CS0RCH4Q2J	CC 470 PF 50V CH	C4059	X-CS0RF0415Z	CC 0.1 UF 50V F
C1038	X-CS0RCH4U2J	CC 680 PF 50V CH	C4060	X-CS0RF0414Z	CC 0.01 UF 50V F
C1040	X-CS0KCH4G1J	CC 18 PF 50V CH	C4061	X-CS0RF0414Z	CC 0.01 UF 50V F
C1046	X-CS0KCH421J	CC 20 PF 50V CH	C4062	X-E524U5010D	CE 1 UF 50V
C1047	X-CS0KCH4G1J	CC 18 PF 50V CH	C4063	X-E524U0470D	CE 47 UF 6.3V
C1048	X-CS0KCH4G1J	CC 18 PF 50V CH	C4064	X-CS0RB04H4K	CC 0.022 UF 50V B
C1049	X-CS0KCH4H1J	CC 22 PF 50V CH	C4065	X-E524U5010D	CE 1 UF 50V
C1050	X-CS0KCH421J	CC 20 PF 50V CH	C4066	X-CS0RB04H4K	CC 0.022 UF 50V B
C1055	X-CS0RCH412J	CC 100 PF 50V CH	C4067	X-E524U5010D	CE 1 UF 50V
C1056	X-CS0RF0415Z	CC 0.1 UF 50V F	C4069	X-CS0RF0415Z	CC 0.1 UF 50V F
C1058	X-E02LU0101M	CE 100 UF 6.3V	C4074	X-CS0RF0414Z	CC 0.01 UF 50V F
C1060	X-CS0RCH412J	CC 100 PF 50V CH	C4075	X-CS0RCH4E2J	CC 150 PF 50V CH
C1061	X-CS0RCH412J	CC 100 PF 50V CH	C4076	X-CS0RF0415Z	CC 0.1 UF 50V F
C1062	X-CS0RB0216K	CC 1 UF 16V B	C4210	X-CS0RB0315K	CC 0.1 UF 25V B
C1064	X-CQGTFO416Z	CC 1 UF 50V F			
C1065	X-CS0RF0415Z	CC 0.1 UF 50V F			
C1067	X-CS0RCH412J	CC 100 PF 50V CH			
C1068	X-CS0RB04H3K	CC 0.0022UF 50V B			
C1069	X-CS0RB04H4K	CC 0.022 UF 50V B			
					DIODES
			D401	X-D2WT011E10	DIODE,SILICON 11E1-EIC
			D402	X-D2LTPG06J0	DIODE,SILICON RMPG06J-G3
			D405	X-D2WT011E10	DIODE,SILICON 11E1-EIC
			D408	X-D94TA27011	DIODE,ZENER HZ27-1L TD

ELECTRICAL REPLACEMENT PARTS LIST

REF. NO.	PART NO.	DESCRIPTION	REF. NO.	PART NO.	DESCRIPTION
DIODES			TRANSISTORS		
△ D409	X-D94TA11B13	DIODE,ZENER	Q604	X-TDWT00400E	TRANSISTOR,SILICON
D410	X-D97U06R81B	DIODE,ZENER	Q605	X-TDWT00400E	TRANSISTOR,SILICON
△ D412	X-D2LTPG06J0	DIODE,SILICON	Q606	X-TCAT032034	TRANSISTOR,SILICON
△ D413	X-D2LTPG06J0	DIODE,SILICON	Q608	X-TNAAB05003	COMPOUND TRANSISTOR
△ D501	X-D4LZBL06L0	DIODE	Q609	X-TNAAB05003	COMPOUND TRANSISTOR
D502	X-D1VT001330	DIODE,SILICON	Q611	X-TNAAB05003	COMPOUND TRANSISTOR
D504	X-D1VT001330	DIODE,SILICON	△ Q804	X-TC3F042170	TRANSISTOR,SILICON
△ D505	X-D2WXB290S0	DIODE,SILICON	△ Q805	X-TC3F042170	TRANSISTOR,SILICON
D506	X-D2LTPG06J0	DIODE,SILICON	△ Q806	X-TC3F042170	TRANSISTOR,SILICON
△ D507	X-D28015DF60	DIODE,SILICON	Q1002	X-T8YJ2412K0	TRANSISTOR,SILICON
D508	X-D1VT001330	DIODE,SILICON	Q1003	X-0002700530	PHOTO COUPLER
△ D510	X-D2BTRU2AM0	DIODE,SILICON	Q1004	X-TNAAC05002	COMPOUND TRANSISTOR
△ D512	X-D2WXB290S0	DIODE,SILICON	△ Q1005	X-0002700590	PHOTO COUPLER
D513	X-D1VT001330	DIODE,SILICON	Q1006	X-TNAAB05003	COMPOUND TRANSISTOR
D514	X-D1VT001330	DIODE,SILICON	Q1007	X-TNAAB05003	COMPOUND TRANSISTOR
△ D515	X-D97U03301B	DIODE,ZENER	Q1008	X-TNAAB05003	COMPOUND TRANSISTOR
△ D517	X-D2WT11ES10	DIODE,SILICON	Q1009	X-0002700530	PHOTO COUPLER
D518	X-D1VT001330	DIODE,SILICON	Q1013	X-0000100380	PHOTO TRANSISTOR
△ D519	X-D2WXB290S0	DIODE,SILICON	Q1023	X-T8YJ2412K0	TRANSISTOR,SILICON
D520	X-D28TQS04N0	DIODE,SCHOTTKY	Q4001	X-TCATC31980	TRANSISTOR,SILICON
D521	X-D1VT001330	DIODE,SILICON	Q4002	X-TCATC31980	TRANSISTOR,SILICON
D526	X-D23U1003A3	DIODE,SCHOTTKY	Q4003	X-TPAAC05002	COMPOUND TRANSISTOR
D528	X-D97U05R61B	DIODE,ZENER	Q4005	X-TA5T010154	TRANSISTOR,SILICON
D601	X-D1VT001330	DIODE,SILICON	Q4006	X-TC5T021204	TRANSISTOR,SILICON
D602	X-D97U08R21A	DIODE,ZENER	Q4007	X-T8YJ2412K0	TRANSISTOR,SILICON
D604	X-D1VT001330	DIODE,SILICON	Q4009	X-T6YJ1037K0	TRANSISTOR,SILICON
D605	X-D2WT11ES10	DIODE,SILICON	Q4010	X-T6YJ1037K0	TRANSISTOR,SILICON
D608	X-D23U1003A3	DIODE,SCHOTTKY	Q4011	X-T8YJ2412K0	TRANSISTOR,SILICON
D609	X-D97U06R81B	DIODE,ZENER	Q4012	X-T8YJ2412K0	TRANSISTOR,SILICON
D610	X-D97U06R81B	DIODE,ZENER	COILS & TRANSFORMERS		
D611	X-D97U06R81B	DIODE,ZENER	L401	X-021679472K	COIL
D612	X-D1VT001330	DIODE,SILICON	△ L502	X-029T000092	COIL,LINE FILTER
D613	X-D1VT001330	DIODE,SILICON	△ L503	X-028R140031	COIL,DEGAUSS
D614	X-D1VT001330	DIODE,SILICON	L601	X-0331920018	COIL
D615	X-D97U06R81B	DIODE,ZENER	L603	X-02167F470J	COIL
D618	X-D1VT001330	DIODE,SILICON	L607	X-021LA6220K	COIL
D619	X-D1VT001330	DIODE,SILICON	L610	X-021LA6R33M	COIL
D620	X-D1VT001330	DIODE,SILICON	L612	X-021LA66R8K	COIL
D621	X-D1VT001330	DIODE,SILICON	L615	X-021LA6R47M	COIL
D791	X-002132Q130	LED	L751	X-021LA6101K	COIL
D793	X-002132Q130	LED	L801	X-021673221K	COIL
D794	X-002132Q130	LED	L1001	X-021LA62R2K	COIL
D801	X-D1VT001330	DIODE,SILICON	L4001	X-02167F220J	COIL
D802	X-D1VT001330	DIODE,SILICON	L4003	X-02167F101J	COIL
D803	X-D1VT001330	DIODE,SILICON	L4004	X-02167F220J	COIL
D1003	X-0010600060	LED	L4005	X-02167F470J	COIL
D1009	X-D1VT001330	DIODE,SILICON	L4006	X-02167F470J	COIL
D1012	X-D1VT001330	DIODE,SILICON	L4009	X-02167F101J	COIL
D1014	X-D97U05R61B	DIODE,ZENER	T401	X-03305Y0018	TRANS,HORIZONTAL DRIVE
D4001	X-D97U06R81B	DIODE,ZENER	△ T501	X-048129015S	TRANSFORMER,SWITCHING
D4207	X-D97U06R81B	DIODE,ZENER	T4001	X-031626009R	COIL,BIAS OSC
ICs			JACKS		
△ IC351	X-I01DP75110	IC	△ J351	X-060G131014	RCA JACK
△ IC401	X-I01TD55220	IC	J701	X-0602101020	JACK,RCA
IC501	X-I1KA98R050	IC	△ J801	X-066X120014	SOCKET,CATHODE RAY TUBE
△ IC502	X-I2BT066230	IC	SWITCHES		
IC601	X-I06FC61206	IC	SW751	X-0504101T34	SWITCH,TACT
IC1001	X-I56F57059A	IC	SW752	X-0504101T34	SWITCH,TACT
△ IC1003	X-IC7J0311A0	IC	SW753	X-0504101T34	SWITCH,TACT
IC1004	X-I03DQ18800	IC	SW754	X-0504101T34	SWITCH,TACT
IC1099	X-A58005A015	IC	SW755	X-0504101T34	SWITCH,TACT
IC4001	X-I03F3201M0	IC	SW756	X-0504101T34	SWITCH,TACT
TRANSISTORS			SW757	X-0504101T34	SWITCH,TACT
Q401	X-TNYJA05001	COMPOUND TRANSISTOR	SW791	X-0504101T34	SWITCH,TACT
△ Q402	X-TAAT01281Y	TRANSISTOR,SILICON	SW792	X-0504101T34	SWITCH,TACT
Q403	X-TNAAJ05003	COMPOUND TRANSISTOR	SW793	X-0504101T34	SWITCH,TACT
Q404	X-TPAAD05003	COMPOUND TRANSISTOR	SW794	X-0504101T34	SWITCH,TACT
△ Q405	X-TC3T022710	TRANSISTOR,SILICON	SW797	X-0504101T34	SWITCH,TACT
△ Q406	X-TD30026270	TRANSISTOR,SILICON	SW1001	X-0508221001	SWITCH (LEAF)
△ Q501	X-0002500450	PHOTO COUPLER	VARIABLE RESISTORS		
Q502	X-TNYJD05001	COMPOUND TRANSISTOR	VR502	X-V1163L2BTC	VOLUME,SEMI FIXED
△ Q503	X-TA3T016240	TRANSISTOR,SILICON	MISCELLANEOUS		
Q507	X-TCATC31980	TRANSISTOR,SILICON	B402	X-024AT03655	CORE,BEADS
Q508	X-TNYJD05001	COMPOUND TRANSISTOR			
Q601	X-T6YJ1037K0	TRANSISTOR,SILICON			
Q602	X-TCAT032034	TRANSISTOR,SILICON			
Q603	X-TCAT032034	TRANSISTOR,SILICON			

ELECTRICAL REPLACEMENT PARTS LIST

REF. NO.	PART NO.	DESCRIPTION	
MISCELLANEOUS			
B403	X-024AT03655	CORE,BEADS	BL01RN1-A63T6
B502	X-024AT03482	CORE,BEADS	BL02RN2-R62T4
B503	X-024AT03655	CORE,BEADS	BL01RN1-A63T6
B505	X-024AT03482	CORE,BEADS	BL02RN2-R62T4
B602	X-024AT03655	CORE,BEADS	BL01RN1-A63T6
B604	X-024AT03481	CORE,BEADS	BL02RN1-R62T2
CD351	X-06CH27080A	CORD,CONNECTOR	CH27080A
CD352	X-06CH12435A	CORD,CONNECTOR	CH12435A
△ CD501	See Page67.	CORD,AC BUSH	0R414905
CD503	X-069X620040	CONNECTOR	JM-2BK-61
CD757	X-06CH2A020A	CORD,CONNECTOR	CH2A020A
CD801	X-06CU82039A	CORD,CONNECTOR	SM1098-009-1A
CF601	X-1022T45R72	FILTER,SAW	SAF45MFY220ZR
CF603	X-1011T4R504	FILTER,CERAMIC	EFCT4R5YS5A
CF604	X-1011T4R517	FILTER,CERAMIC	EFCT4R5MW5
CP351	X-0694260139	CONNECTOR PCB SIDE	173979-6
CP353	X-0694270139	CONNECTOR PCB SIDE	173979-7
△ CP401	X-069X450029	CONNECTOR PCB SIDE	B05B-DVS
△ CP502	X-069W420029	CONNECTOR PCB SIDE	TV-50P-02-A1
CP503	X-069X620030	CONNECTOR PCB SIDE	RE-H022TD-1130
CP757	X-06942A0139	CONNECTOR PCB SIDE	1-173979-0
CP801	X-069W320018	CONNECTOR PCB SIDE	TS-80P-02-V1
CD1001	X-122L040904	CORD,JUMPER	2L040904
CD1002	X-122F071901	CORD,JUMPER	2F071901
CD4001	X-122L061501	CORD,JUMPER	2L061501
CP1003	X-0694240139	CONNECTOR PCB SIDE	173979-4
CP1004	X-0697280590	CONNECTOR PCB SIDE	TMC-J08P-B1
CP1005	X-069J770029	CONNECTOR PCB SIDE	IMSA-9604S-07Z14
CP1006	X-069J740029	CONNECTOR PCB SIDE	IMSA-9604S-04Z14
CP4001	X-0697290620	CONNECTOR PCB SIDE	TOC-C09X-A1
CP4002	X-069J760029	CONNECTOR PCB SIDE	IMSA-9604S-06Z14
CP4003	X-0697120320	CONNECTOR PCB SIDE	TMC-T02X-E1
CP851A	X-067R010019	WIRE HOLDER	51048-1000
CP851B	X-067R010019	WIRE HOLDER	51048-1000
CUS011	X-800WFAA006	CUSHION A	
CUS012	X-800WFAA008	CUSHION C	
CUS018	X-800WFAA007	CUSHION B	
EL001	X-124116281A	EYE LET	XRY16X28BD
EL002	X-124120301A	EYE LET	XRY20X30BD
△ F501	X-081PC05004	FUSE	51MS050LCC
△ FB401	X-043213013R	TRANSFORMER,FLYBACK	3213013R
FH501	X-06710T0006	HOLDER,FUSE	EYF-52BC
FH502	X-06710T0006	HOLDER,FUSE	EYF-52BC
OS753	X-077Q014004	REMOTE RECEIVER	PIC-28143TE5
△ SP351	X-070C533019	SPEAKER	SG04D11BNA
△ TH501	X-DF5EL3R0A0	DEGAUSS ELEMENT	ZPB45BL3R0A
△ TU601	X-0145K00055	TUNER,VHF-UHF	TECC1040PG32D
△ V801	X-098Q1404B2	CRT W/DY	A34AGT13X98(L)
X602	X-100CT3R505	CRYSTAL	HC-49/C
X1001	X-100CT01207	CRYSTAL	HC-49/U-S
X1002	X-100DA32R01	CRYSTAL	DT-26
X4001	X-100CT3R502	CRYSTAL	HC-49/U

RESISTOR

RC..... CARBON RESISTOR

CAPACITORS

CC..... CERAMIC CAPACITOR
 CE..... ALUMI ELECTROLYTIC CAPACITOR
 CP..... POLYESTER CAPACITOR
 CPP..... POLYPROPYLENE CAPACITOR
 CPL..... PLASTIC CAPACITOR
 CMP..... METAL POLYESTER CAPACITOR
 CMPL..... METAL PLASTIC CAPACITOR
 CMPP..... METAL POLYPROPYLENE CAPACITOR

The difference point list between TV-13142 and TV-13142W

MECHANICAL REPLACEMENT PARTS LIST

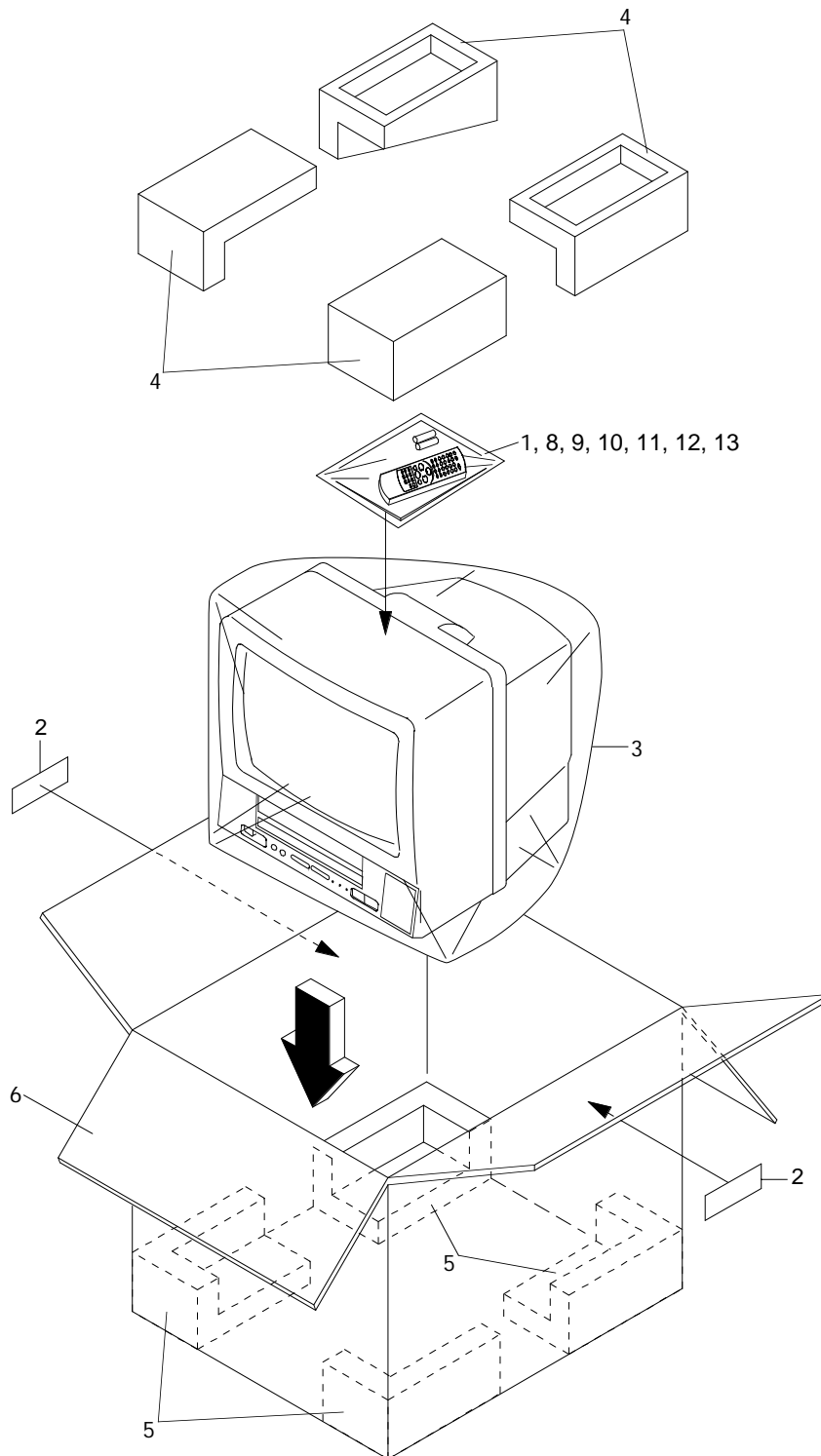
REF. NO.	TV13142		TV13142W	
	PART NO.	DESCRIPTION	PART NO.	DESCRIPTION
101	X-A58005A720	CABINET,FRONT ASS'Y	X-A58006A720	CABINET,FRONT ASS'Y
114	X-7225380011	SHEET,RATING	X-7225380012	SHEET,RATING
116	X-712WPJ0732	FLAP	X-712WPJ0733	FLAP
118	X-735WPJ0180	BUTTON,FRAME	X-735WPJ0182	BUTTON,FRAME
123	X-702WPAA108	CABINET,BACK	X-702WPBA048	CABINET,BACK
126	X-735WPJ0181	BUTTON,CHANNEL/VOLUME	X-735WPJ0183	BUTTON,CHANNEL/VOLUME

ACCESSORY REPLACEMENT PARTS LIST

REF. NO.	TV13142		TV13142W	
	PART NO.	DESCRIPTION	PART NO.	DESCRIPTION
1	RM-C388	TRANSMITTER	RM-C388W	TRANSMITTER
2	X-7230007282	SHEET,UPC	X-7230007310	SHEET,UPC

ELECTRICAL REPLACEMENT PARTS LIST

REF. NO.	TV13142		TV13142W	
	PART NO.	DESCRIPTION	PART NO.	DESCRIPTION
△ CD501	X-120R414905	CORD AC BUSH 0R414905	X-120R414906	CORD AC BUSH 0R414906



ACCESSORY REPLACEMENT PARTS LIST

REF. NO.	PART NO.	DESCRIPTION
1	See Page67.	TRANSMITTER
2	See Page67.	SHEET,UPC
3	X-791WHA0061	LAMIFILM BAG
4	X-792WHA0223	PACKAGE, TOP
5	X-792WHA0224	PACKAGE, BOTTOM
6	X-793WCD1342	GIFT BOX
7	X-A58005A975	INSTRUCTION BOOK KIT
8	X-JB5KD500	POLYBAG
9	X-J5500112	GUARANTEE CARD
10	X-J5500115	SERVICE STATION LIST
11	X-J5500117	REGISTRATION CARD
12	X-J5501202	GUARANTEE CARD
13	X-J5800501	INSTRUCTION BOOK